

Блок питания. Серия 60W

SPV-xx060

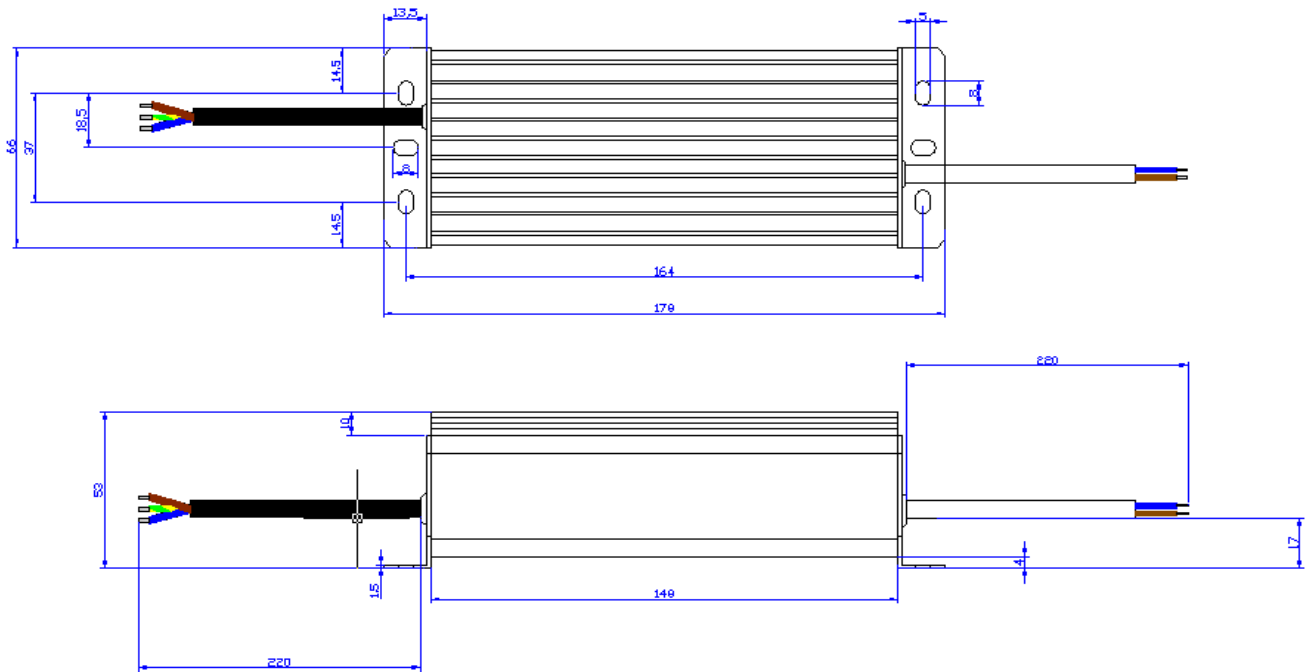
- Output constant voltage
- Range 170-250VAC
- Efficiency 85%
- Protections: short circuit/over Voltage
- Cooling by free air convection
- IP67 design for indoor or outdoor installations
- Suitable for LED lighting and moving sign applications
- Compliance to worldwide safety regulations for lighting
- Suitable for dry/damp/wet locations



	Model	SPV-05060 (5V, 12A, 60W)	SPV-12060 (12V, 5A, 60W)
Output	DC Current	5V	12V
	Current Accuracy	±0.5V	4.2A
	Voltage Range	12A	5A
	Rated power	60W	100.8W
	Ripple&noise Max.	120mVp-p	150mVp-p
	Voltage Range	170~265VAC, 240~375VDC, request for 90~265VAC can be customized	
Input	Frequency Range	47~63HZ	
	Power Factor (Typ.)	Other requests we can customized.	
	Full Load Efficiency (Typ.)	80%	83%
	AC Current (Typ.)	0.73A/170VAC 0.56A/220VAC 0.47A/265VAC	
	Leakage current	<0.25mA/220VAC	
Protection	Short Circuit	Protection type: Hiccup mode, recovers automatically after fault condition is removed	
	Over voltage	≤ 280VAC	
	Over temperature	100 ±10 shut down o/p voltage, re-power on to recover	
	Working TEMP.	-40~+60°C	
Environment	Working Humidity	20~95%RH, non-condensing	
	Storage TEM.,Humidity	-40~+80°C, 10~95%RH	
	TEMP.coefficient	±0.03%/(0~50°C)	
	Vibration	10~500Hz, 5G 12min./1 cycle period for 72min.each along X,Y,	
Safety & EMC	Safety standards	EN61347-2-13.IP67	
	Withstand voltage	I/P-O/P:3.75KVAC I/P-FG:1.88KVAC O/P-FG:0.5KVAC	
	Isolation resistance	I/P-O/P I/P-FG O/P-FG: 100MΩ/500VDC/25°C /70%RH	
Others	Weight	0.9Kg	
	Size	178x66x53mm LxWxH	
	packing	325x224x176mm/10pcs	

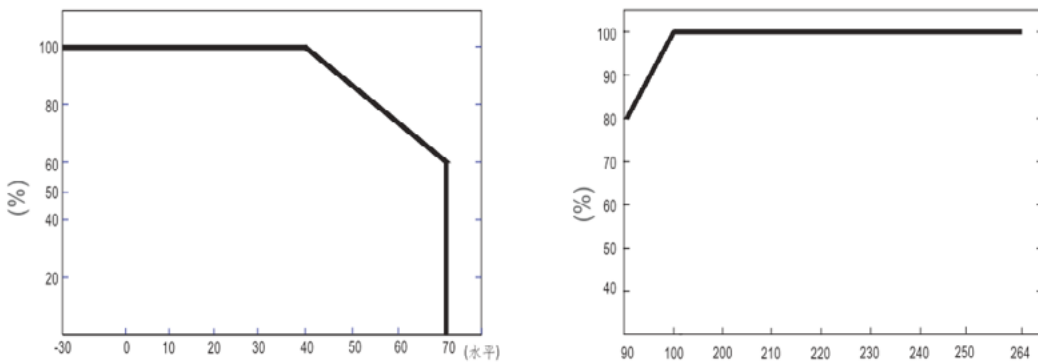
1. All parameters NOT specially mentioned are measured at 230VAC input, rated load and 25°C of ambient temperature.
2. Ripple& noise are measured at 20MHz of bandwidth by using a 12"twisted pair-wire terminated with a 0.1uf &47uf parallel capacitor.
3. Tolerance: includes set us tolerance, line regulation and load regulation.

60W waterproof constant voltage driver Mechanical Specification



- 1| Input 18AWG*3C, the green/yellow cable connect with (FG), Brown with AC (L), Blue with AC (N)
- 2| Output 18AWG*2C, Brown is output (V+), Blue is output (V-)
- 3| Note: Any other requests we can customized.

Derating Curve



Load carried in accordance with the load derating curve, according to the ambient temperature derating, in order to extend the service life