

## Сенсорный пульт Mini SR-2819 (RGBW 4 зоны)



### PRODUCT INTRODUCTION

SR-2819S RGBW remote controller has 4 different zones. It can get Red/ Green/ Blue/ White color directly. The remote controller can save up to 3 colors or 3 modes into corresponding buttons (S1,S2,S3) for each zone. You can choose any color through color wheel. you can set the system as RGB 3-channel output, or RGBW 4-channel output.

### PARAMETER

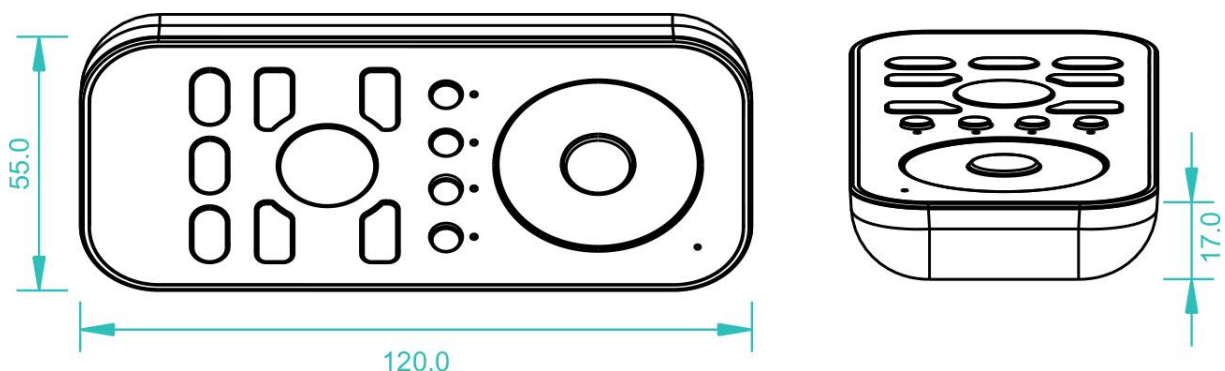
- Remote

Part No.	Operation Voltage	Operation Frequency	Dimension $\phi$ /h (mm)	Remarks
SR-2819S	3.6VDC	868MHz	55x120x17	load 3pcs 7 AAA (1.5V) batteries

- Receiver

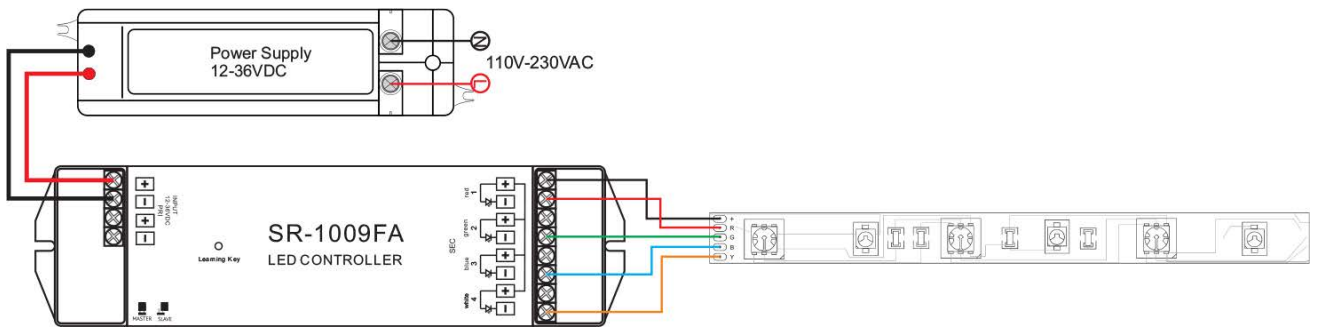
Part No.	Iuput Voltage	Current	Output	Remarks
SR-1007FA	12-36VDC	4x5A	4x(60-180)W	Constant voltage
SR-1009EA	12-36VDC	4x8A	4x(96-288)W	Constant voltage
SR-1009FA3	12-36VDC	4x350mA	4x(4.2-12.6)W	Constant current
SR-1009FA7	12-36VDC	4x350mA	4x(8.4-25.2)W	Constant current

### PRODUCT SIZE

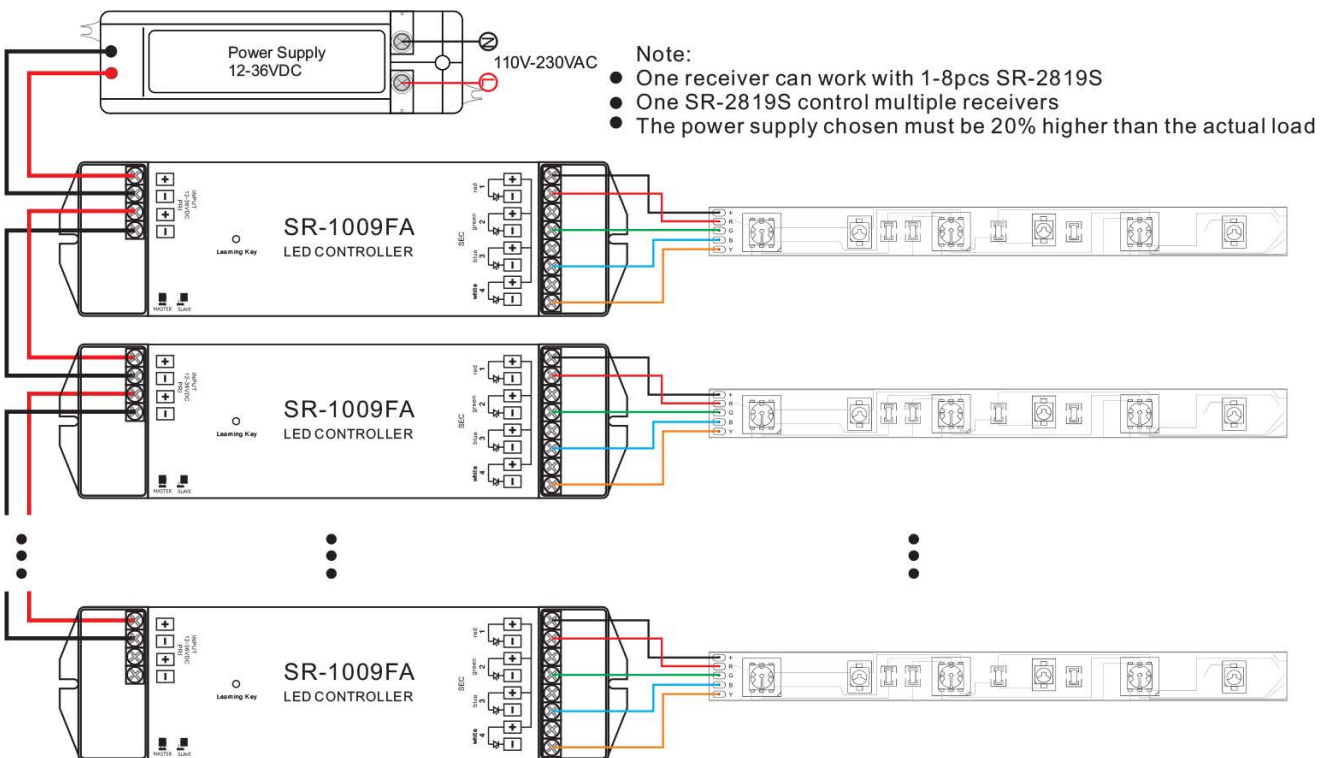


## WIRING DIAGRAM

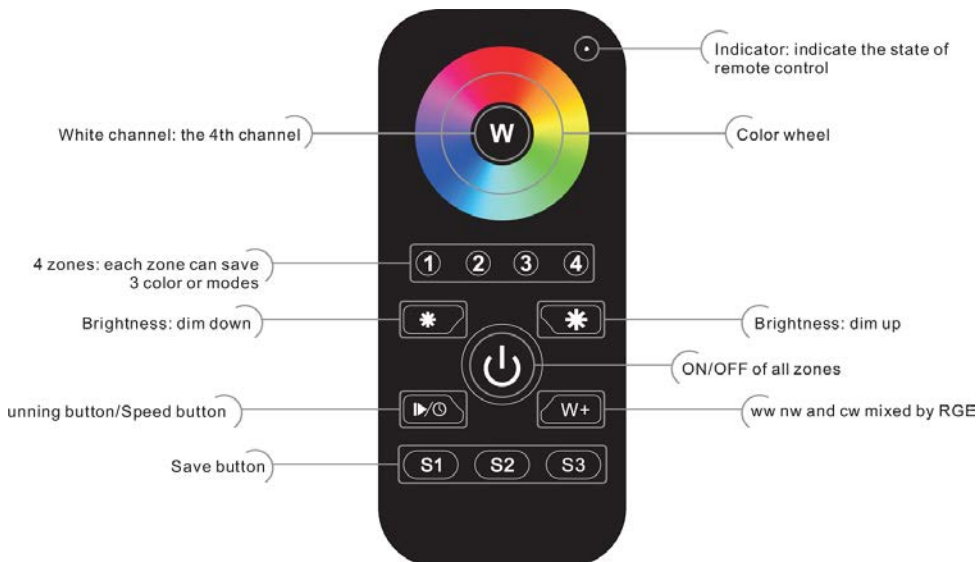
### Receiver Connection Diagram for Single Unit



### Receiver Connection Diagram for Multiple Units



## BRIEF INTRODUCTION OF BUTTONS



# OPERATION

## 1. Learning (matching)

- Do wiring according to connection diagram
- Wake up the remote control by touching ON/OFF button.
- Press learning button on receiver.
- Touch any zone button on remote control.
- Then touch color wheel.
- Connected LED light will blink to confirm zone designation.
- Press at learning button on receiver over 5 seconds until LED light flash, then delete the learned ID.


**Note 1:**

- To choose a master from slaves by jumper for each zone.
- Short circuit for master.
- Open circuit for slave.
- Each zone only can set one master controller. After a period of time, the master will do synchronization operation to keep the same color or mode of all slaves in one zone.



**Note 2:**

- Each remote control 4 zones (areas) receivers, each area can be learned as many receivers as we can.
- Each receiver maximally can be controlled by 8 different remote controllers.

## 2. Color wheel


Choose zone number ① ② ③ ④, for example, ① and ③, then touch , choose the color you want, zone 1 and 3 will indicate corresponding color as we touched.


## 3. Brightness Up & Down Button

Short/Long press button  to dim down brightness of RGB channels, Short/long press button  to dim up RGB channels.

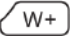
"W" channel is separated from RGB channels, so we can only long press button to dimming "W" channel.


## 4. Running Mould & Speed Button

a. Short press , mode will run. Press it once, it runs one mode. Press button again, it stops, then press one more time, it will enter next mode. There are total 10 build-in modes.

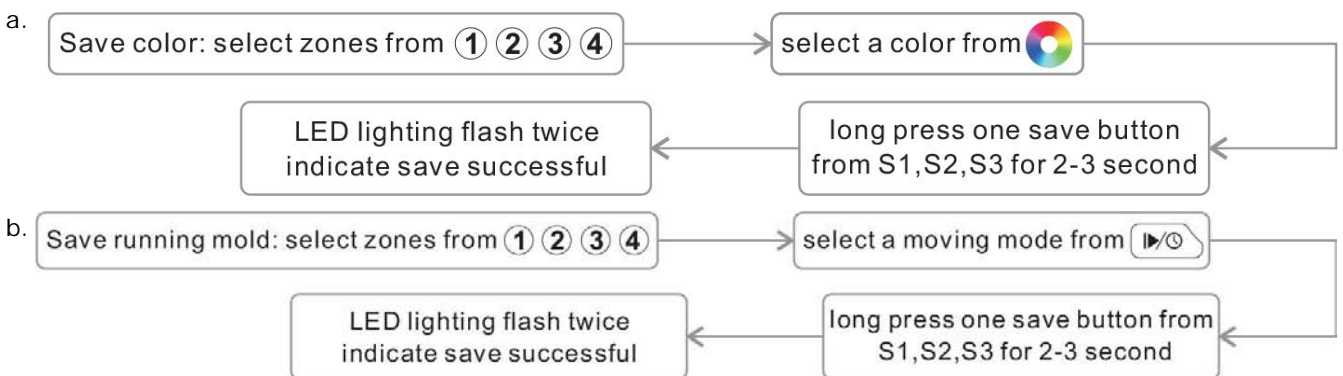
b. Long press  when mode is running, First long press will speed up the color moving, long press again to speed down the color moving.

## 5. W+ Button

a. RGB channel will mix to three different white: warm white, nature white and cold white by short press  For example: first press---warm white, press again---nature white, third press again---cold white, fourth press---warm white.....

b. Fast click twice  to switch off RGB channel.

## 6. Save and recall button



c. Recall: select zone button which we want recall from 1-4, then short press save button S1,S2,S3.

## **SAFETY & WARNINGS**

1. The product shall be installed and serviced by a qualified person.
2. IP20. Please avoid the sun and rain. When installed outdoors, please ensure it is mounted in a water proof enclosure.
3. Always be sure to mount this unit in an area with proper ventilation to avoid overheating.
4. Please check if the output voltage of any LED power supplies used comply with the working voltage of the product.
5. Never connect any cables while power is on and always assure correct connections to avoid short circuits before switching on.
6. Please ensure that the cable is secured tightly in the connector
7. For update information please consult your supplier.