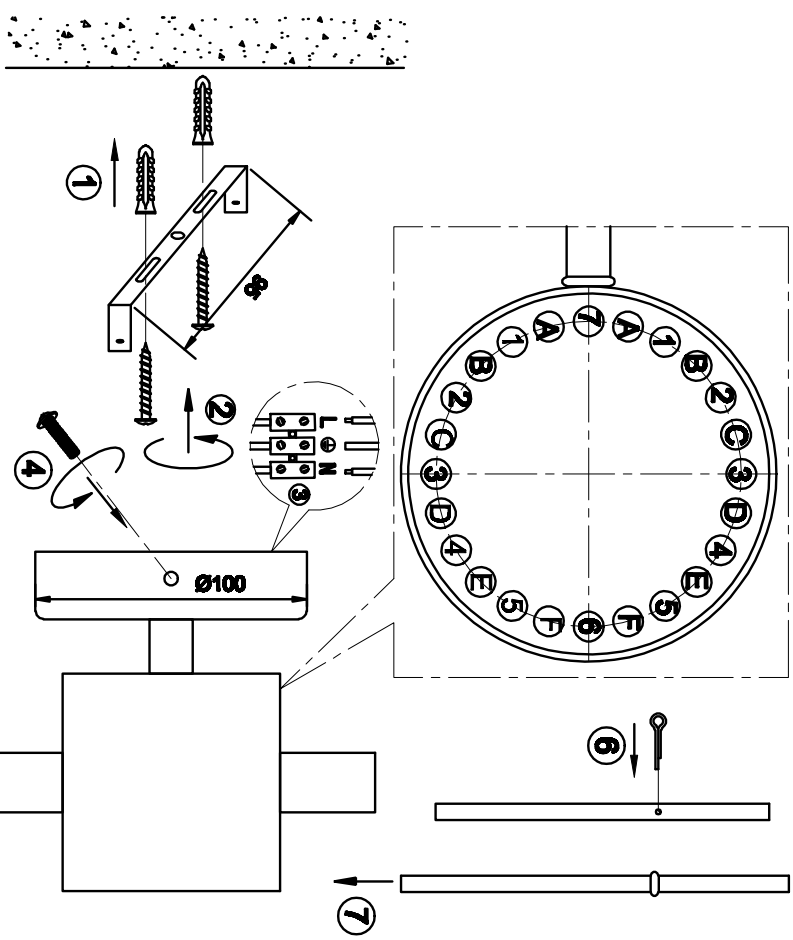
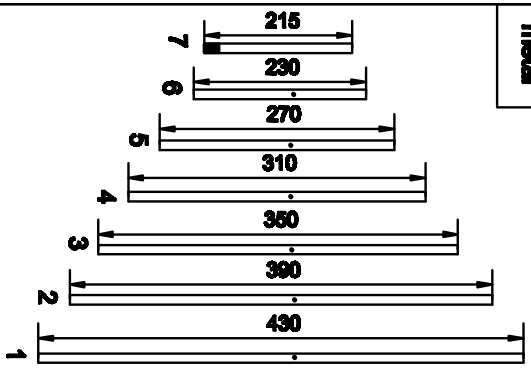


INSTALLATION INSTRUCTION
 ODEON LIGHT COLLECTION HALL 4847/2W



metal



glass

