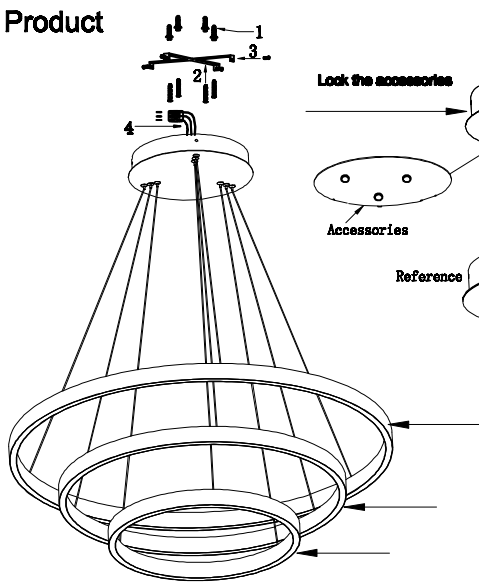


# Product



# Installation Diagram

