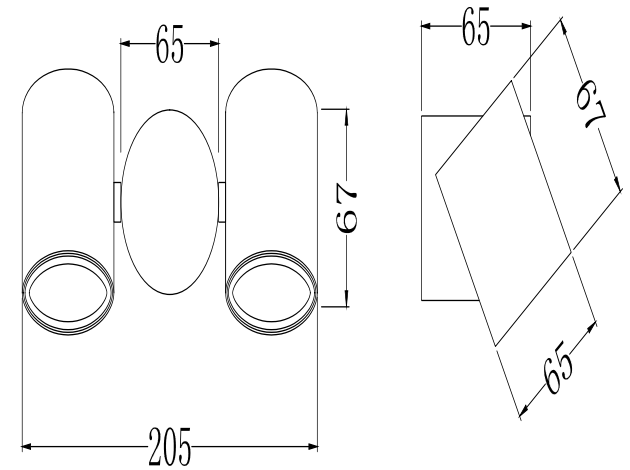
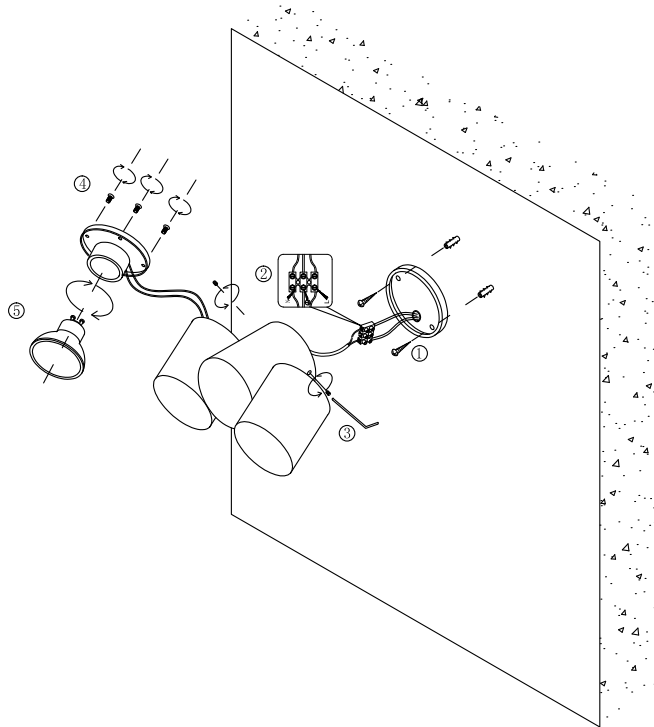


# Instruction

O010WL-02B



2 x GU10 (50W)

Model: O010WL-02B  
Collection: Outdoor  
Series: Wall Street



Wall Lamps