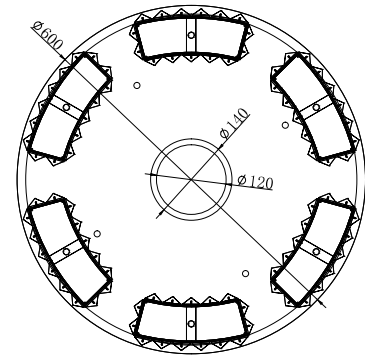
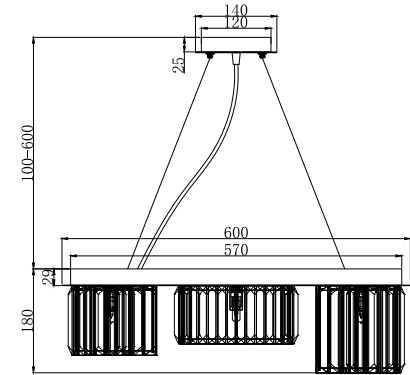


A=30
B=30
C=30



6 x G9 (40W)

Model: MOD083PL-06CH
Collection: Modern



Pendant Lamps