

LUCIDE

GENERAL SPECIFICATIONS



**RECOMMENDED LUCIDE  
LIGHT SOURCE**

**49008/05/60**

Light source dimmable : Yes

Light source incl. : No

### General

Dimensions LxWxH : 10,8 cm x 10,8cm x 12,5 cm

Height minimum : 12,5 cm

Height maximum : 12,5 cm

Dimensions shade LxWxH : -

Ceiling rose material : -

Color : Sand Matt Black

Style : Modern

Shape : Square

Weight : 0.75 kgs

Warranty : 2 years

### Product specifications

Dimmable : No

Light direction : Inground Light

Adjustable in height : No

Cable : 3x0.75mm<sup>2</sup> silicon cable + connection box

Cable length : 1M

Sensor : Without Sensor

Control : -

IP-Class : 67

Electric class : 1

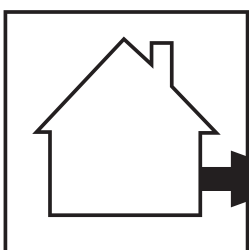
Light source including ? : No

Lamp socket : GU10

Light source number : 1

Power requirements : 220-240V~50Hz

Bulb type & maximum wattage : GU10 35W



IP44

IP54

IP65

IP67

Explanation of IP numbers for degrees of protection, see safety instruction manual in the box.

For more specifications of this product please visit

[www.lucide.com](http://www.lucide.com)

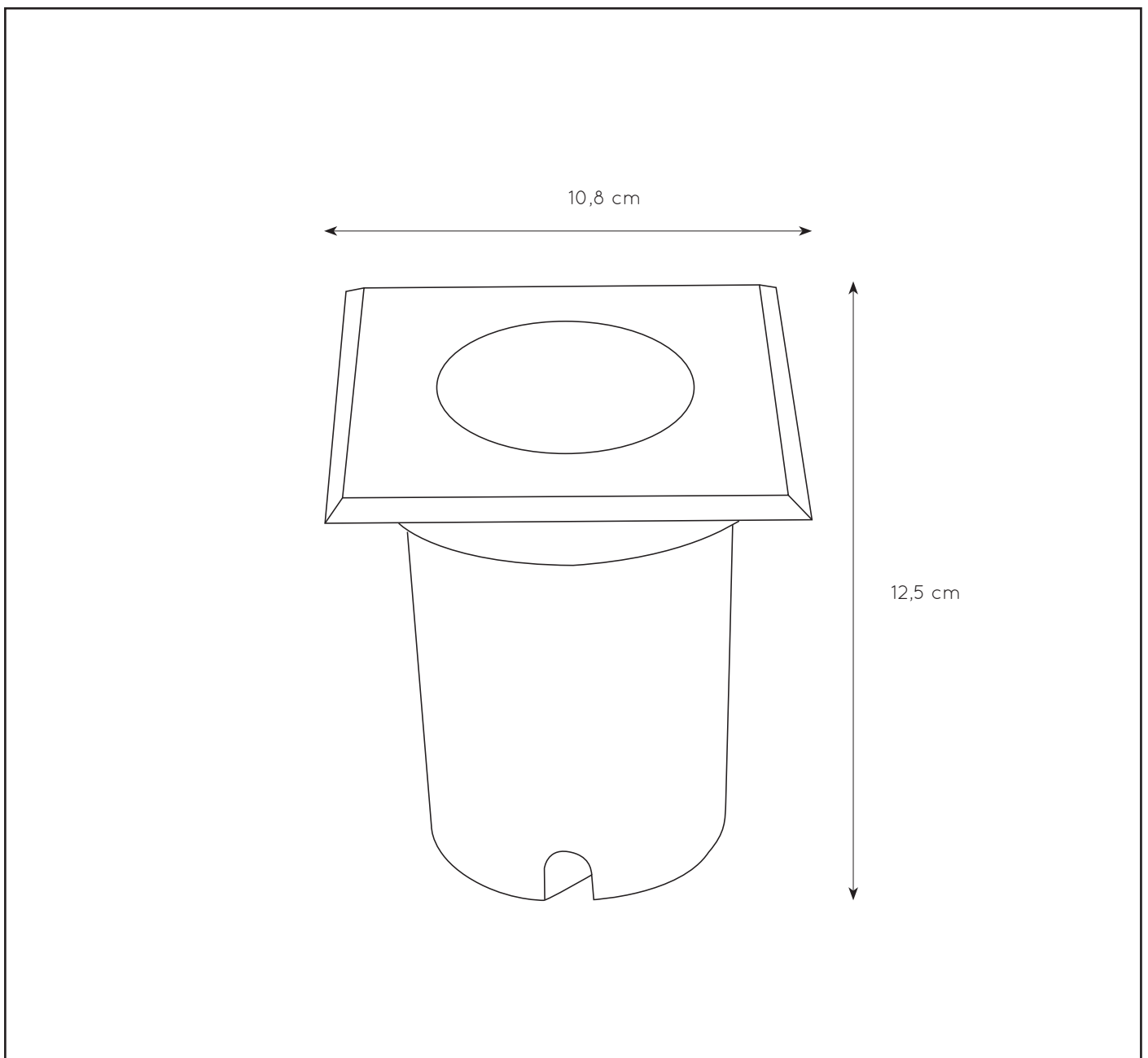
LUCIDE

TECHNICAL DRAWING & DIMENSIONS

## BILTIN

Item number : 11800/01/30

EAN code : 5411212114921



For more specifications, dimensions please visit

[www.lucide.com](http://www.lucide.com)

# LUCIDE

## INSTALLATION DRAWING SPECIFICATIONS

