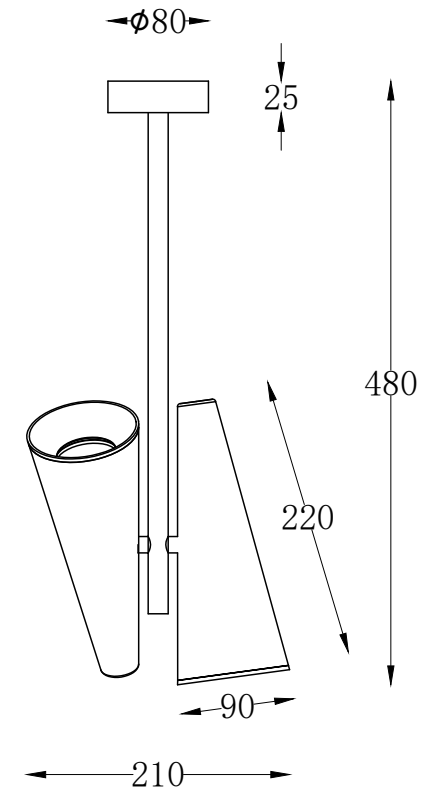
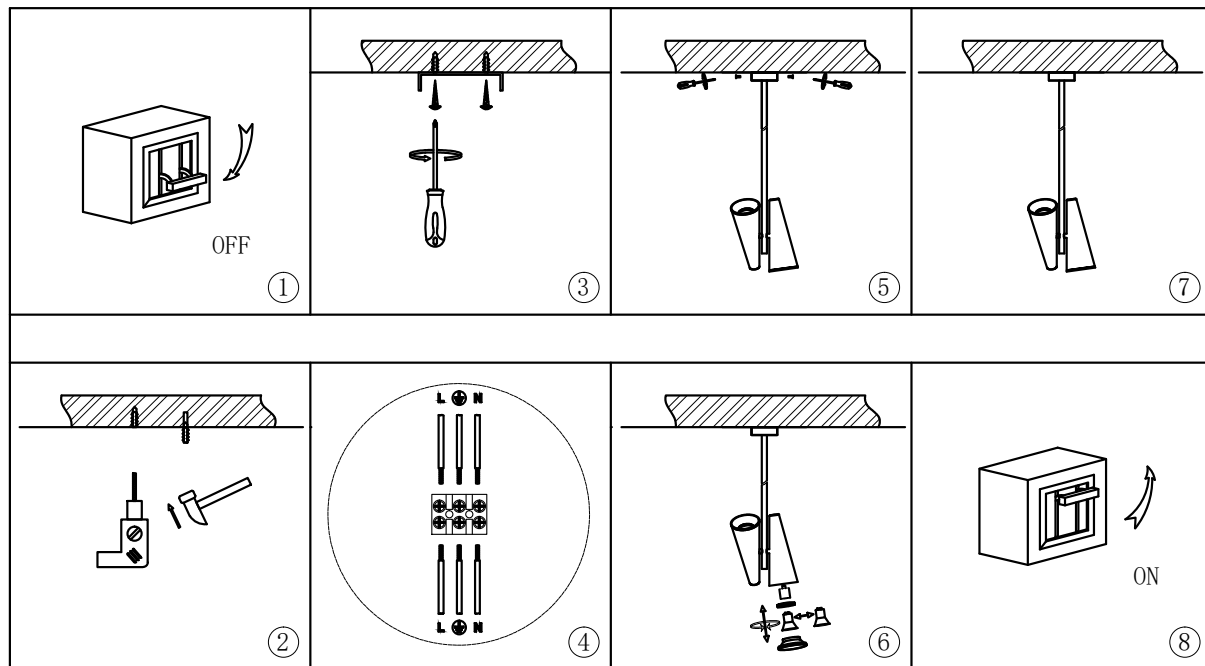


Instruction

MOD095CL-02BS



2 x GU10 (50W)

Model: MOD095CL-02BS

Collection: Modern



Ceiling Lamps